

NH KNIFE-BLADE

FUSE LINKS & FUSE BASES

NH 3P BS fuse switch disconnecter 690V

for NH fuse links



**PROTECTING
THE WORLD**





RATED CURRENT
160A

RATED VOLTAGE
690V

MAXIMUM POWER DISSIPATION
12W

PROTECTION INDEX
IP20

STANDARDS

IEC/EN 60947-1
IEC/EN 60947-3



NH 3P fuse switch disconnectors

Manufactured with a high quality materials

- Silver plated copper contacts.
- Plastic materials with high temperature resistance and self-extinguishable.
- All the materials are according to the European Directive RoHS (Restriction of the use of certain hazardous substances in electrical material).



For mounting with screw fixing or on to busbar system.

Three-pole type.

Connection by clamps.

Silver plated contacts with springs in order to obtain an optimum operation and provide low power loss.

Protected against accidental contact with removable covers (IP20 protection).

Voltage test performed through test holes in fuse link covers.

Arc chutes with deionized steel plates over the top contact.

Manufactured according to IEC / EN standards.

Warning of use

Installing or replacing of fuse links is only allowed by instructed specialized staff.



To avoid electrical risk, install the switchgear without voltage.

Range

In (A)	CONNECTION	REFERENCE	PACKING Uni /BOX
160	CLAMP	335005	1



Technical data

Rated current	160A			
Rated voltage	690V			
Rated insulation voltage U_i	1000V			
Rated insulation voltage	8kV U_{imp}			
Maximum power dissipation	12W			
Protection index	IP20			
Rated short-circuit withstand current	100kA			
UTILIZATION CATEGORY				
	AC-23B	AC-22B	DC-21B	
Rated switching current	100A	160A	100A	160A
Rated switching voltage	400V	400V	690V	250V
Ambient temperature of service	-20°C ... 70°C			
Storage temperature	-40°C ... 80°C			
Correction of the admissible current in function of the temperature	20° C	1		
	30° C	0,95		
	40° C	0,90		
	50° C	0,80		
	60° C	0,70		
	70° C	0,60		

IEC/EN 60947-1
IEC/EN 60947-3

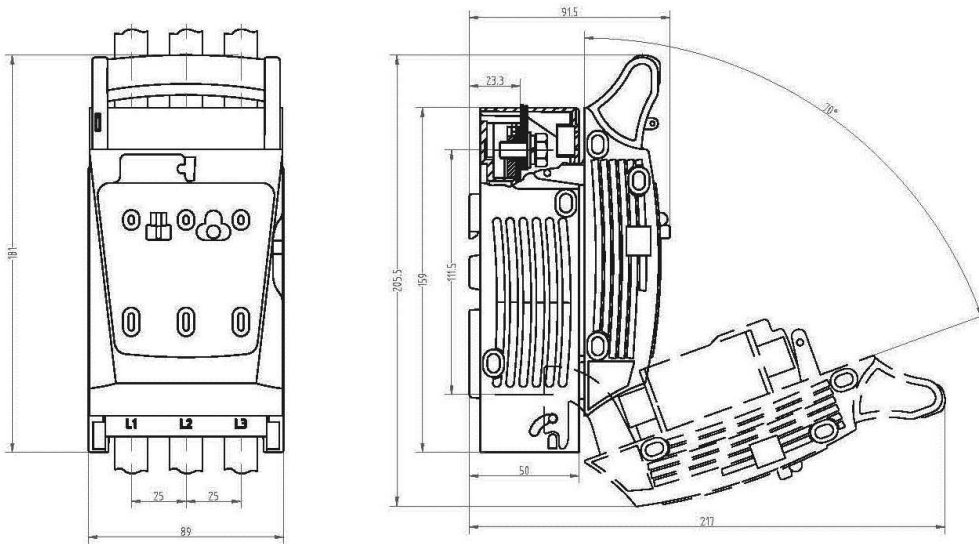
Standards

Application characteristics

Mounting	Screws
Connecting wire	2 x M6 - CLAMP
Tightening torque on terminals	3 Nm - CLAMP
Clamp connection Maximum cable cross-sectional area	35mm ²

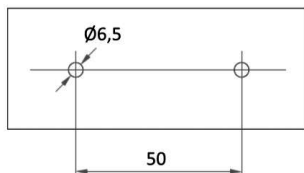


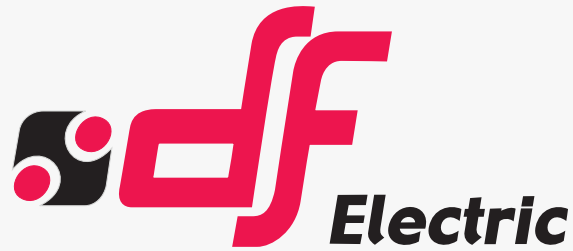
Dimensions



Weight 600gr

Dimensions for mounting plate installation





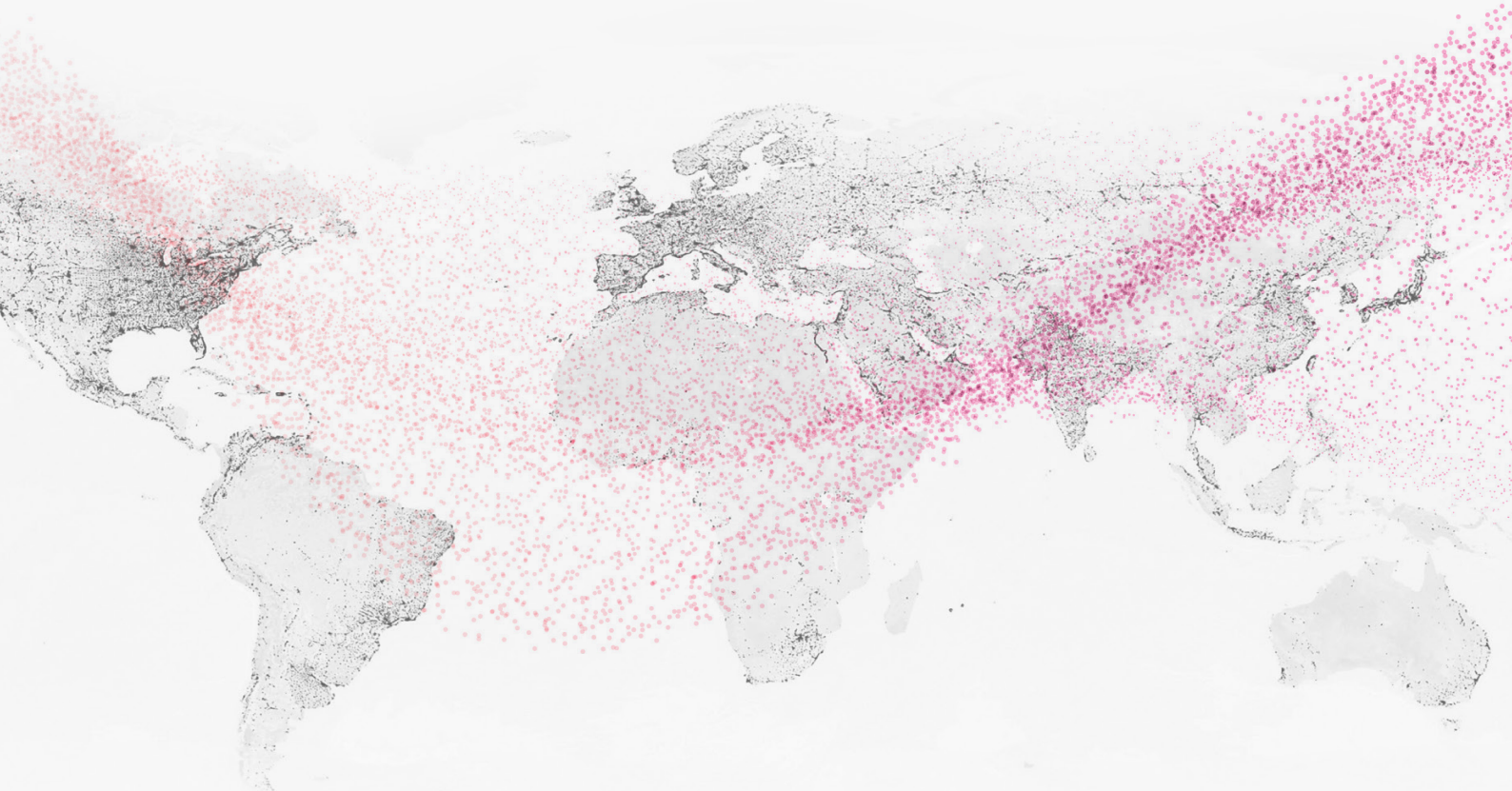
PROTECTING THE WORLD



HEAD OFFICE AND FACTORY
SILICI, 67-69
08940 CORNELLA DE LLOBREGAT
BARCELONA · SPAIN
Tel. +34 93 377 85 85
Fax +34 93 377 82 82

INTERNATIONAL SALES
Tel. +34 93 475 08 64
Fax +34 93 480 07 75
export@dfelectric.es

NATIONAL SALES
Tel. 93 475 08 64
Fax 93 480 07 76
comercial@dfelectric.es



dfelectric.es



According to the waste of electrical and electronic equipment directive, electrical material should not be part of the usual waste. This symbol alerts users that these products should be recycled according to local environmental waste disposal regulations.



The "electro technical expert" logo marked on the products included in this data sheet indicates that the installation of these products must be carried out by expert personnel with specialized knowledge.



To prevent electrical hazards, carry out the installation without voltage.



Safety notice
Please capture the following QR code and read our safety notice carefully before installing our products.



The data reflected in this technical record are subject to the correct installation of the product in accordance with manufacturer's instructions, relevant installation standards and professional practices, maintained and used in applications for which they were made.

The products described in this document have been designed, developed and tested in accordance with specific standard. They are considered components that are integrated as part of installation, machine or equipment. The correct general operation of the referred product is responsibility of the manufacturer of the installation, machine or equipment.

DF ELECTRIC cannot guarantee the characteristics of an installation, machine or equipment that has been designed by a third party. Once a product has been selected, the user must verify that it is appropriate for its application, through the verifications and/or tests that it deems appropriate.

DF ELECTRIC retains the right to change the dimensions, specifications, materials or design of its products at any time with or without notice.